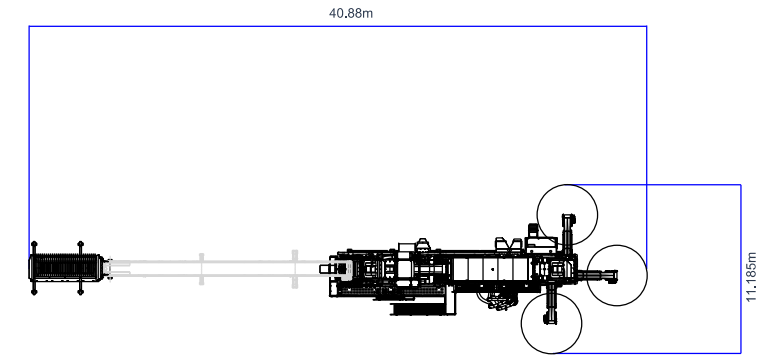
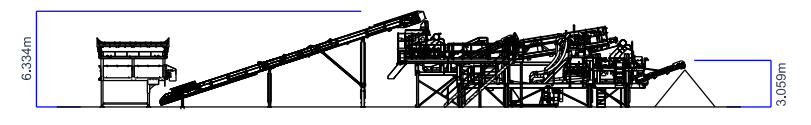




FOOTPRINT



ELEVATION - SIDE



Plant Site - Footprint & Elevations (1:500 @ A3)

LEGEND

- Application Boundary
- Plant Site Area (to be concreted / road tarmaced)
- Other Operational / Ancillary Land
- Soil Storage / Screening Bunds
- Temporarily Restored Batter Slopes
- Plant & Quarry Operational Structures
- Drainage Ditch
- Fencing

LIAM TOLAND PLANNING

PROJECT:
Lea Castle Farm

TITLE:
Plant Site

REF NO:
01-LEACF-INQ_012

DATE: **July 2024** SCALE: **1:5,000 @ A3**

STATUS:
FINAL

This drawing may not be used without the consent of Liam Toland Planning
Contact: liamtolandplanning@outlook.com T: 07864 297587
© Crown copyright and database rights [2017] Ordnance Survey 0100031673