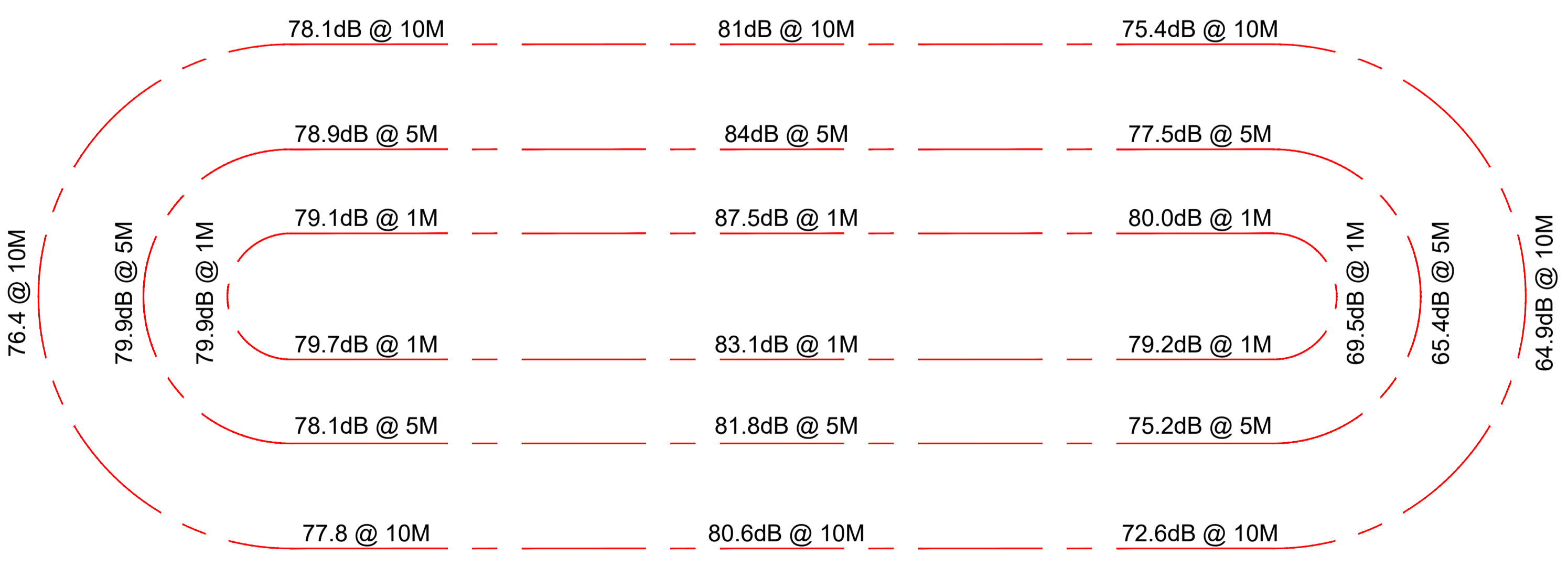


Length - 64m
Width - 43m
Height - 12m



Noise Level



PowerX Equipment
Site 7 Meriden Park
Cornets End Lane
Meriden
CV7 7LG
T: 02476 405 100
www.pxequip.com

Revisions		Date	Drawn by	Checked by
A	First Issue	---	T. Onisha	
Rev	Notes			

© THIS DOCUMENT IS THE COPYRIGHT OF POWERX EQUIPMENT LTD. IT MUST NOT BE LOANED, COPIED OR REPRODUCED WITHOUT THE WRITTEN PERMISSION OF THE COMPANY.

Notes: --

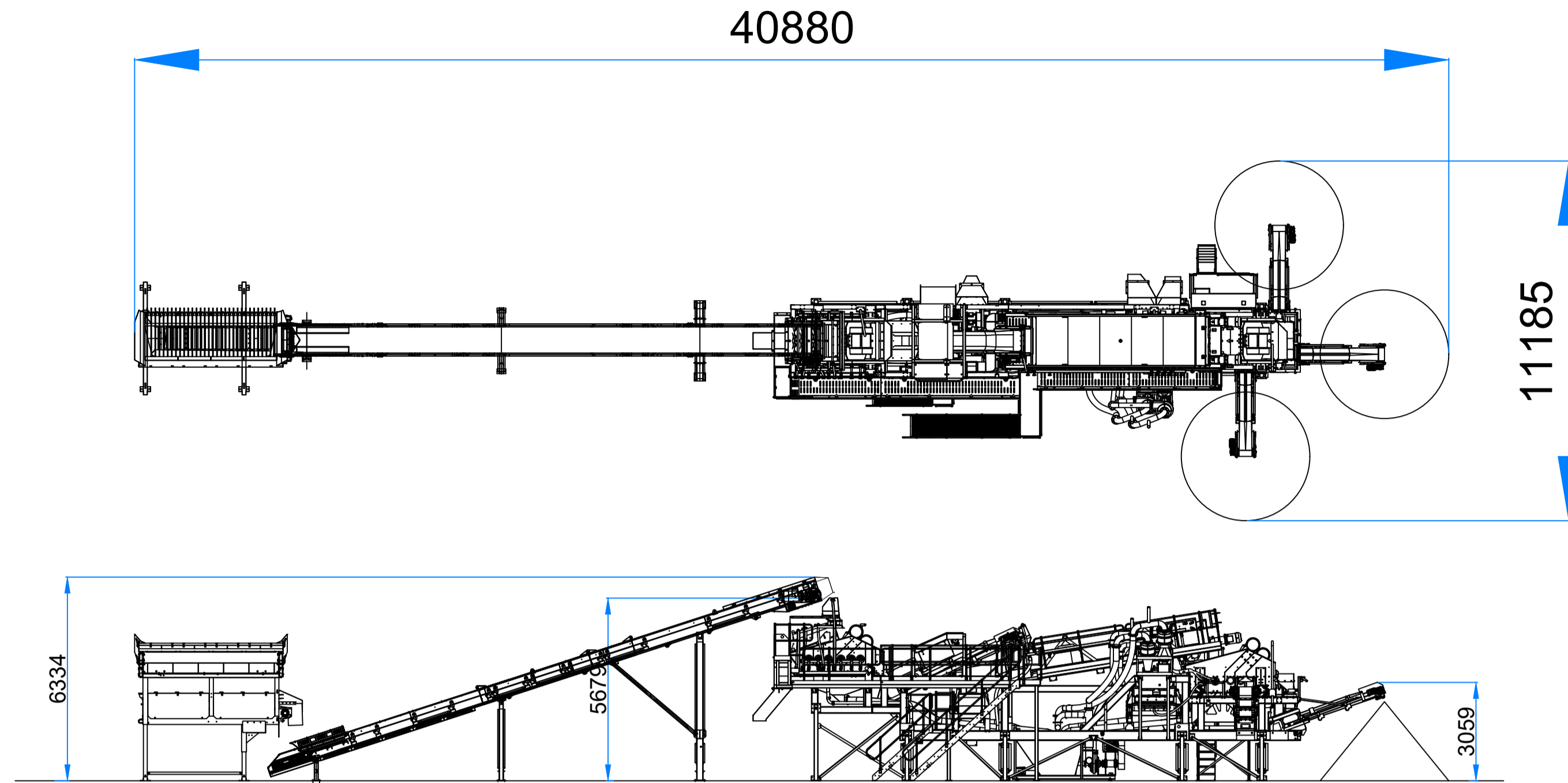
Revision: A

Site Ref:	LEA CASTLE FARM	Scale:	N.T.S.
Customer:	NRS	Sheet No.:	1/1
Drawing No.:	E2370-SGA-001	Description:	Original Plant Proposal
		Sheet Size: A4	

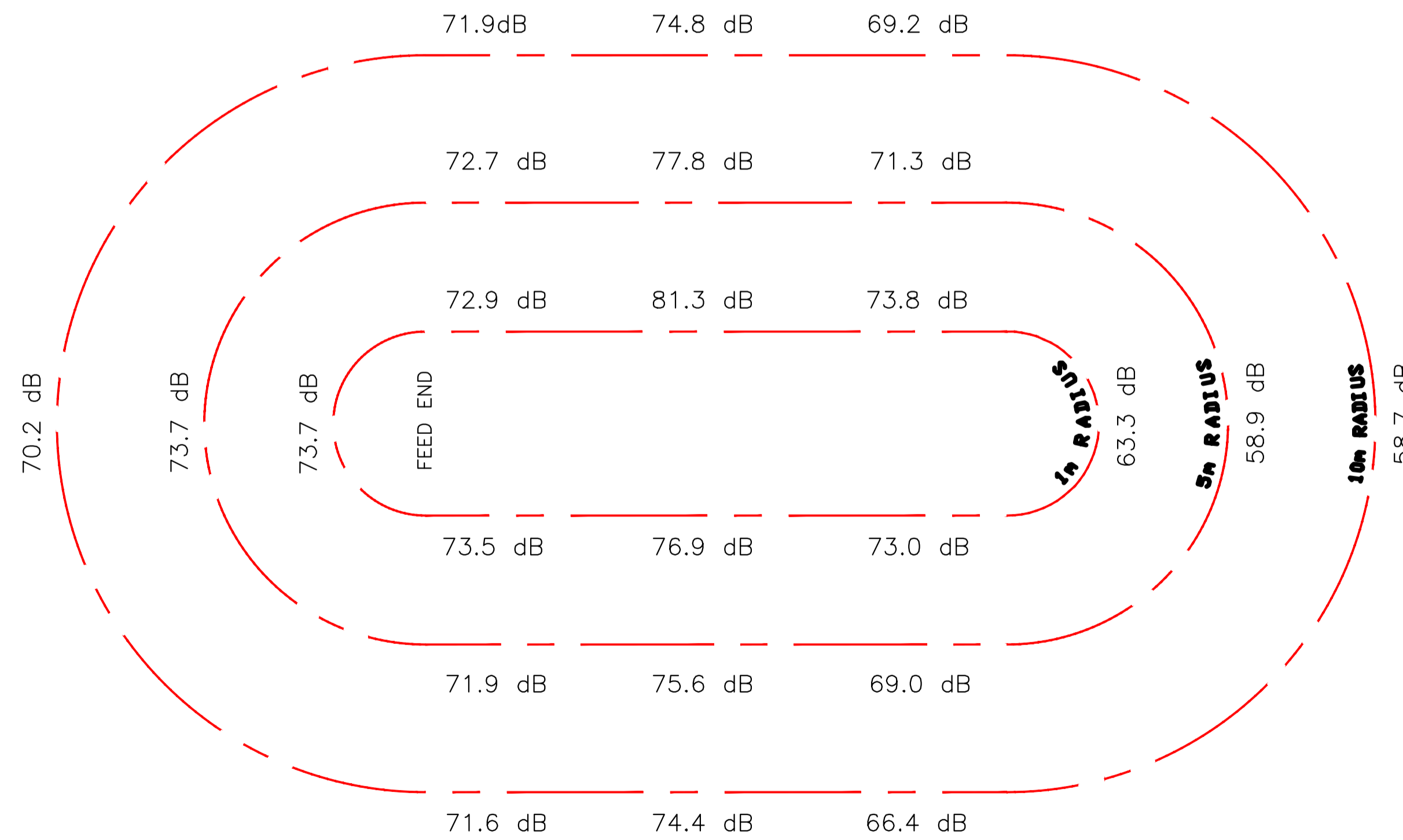
PLEASE NOTE THAT THIS IS A PRE-SALES DRAWING AND SHOULD BE USED FOR DISCUSSION / QUOTATION PURPOSES ONLY

ALL LEADING DIMENSIONS IN METRIC (mm). TRAILING DIMENSIONS IN IMPERIAL (ft, inch) UNLESS OTHERWISE STATED.

Length - 41m
 Width - 11m
 Height - 6m



Noise Level



PowerX Equipment
 Site 7 Meriden Park
 Cornets End Lane
 Meriden
 CV7 7LG
 T: 02476 405 100
 www.pxequip.com

Revisions		Date	Drawn by	Checked by
A	First Issue	---/---/---	T.Onisha	
Rev	Notes	Date	Drawn by	Checked by

© THIS DOCUMENT IS THE COPYRIGHT OF POWERX EQUIPMENT LTD. IT MUST NOT BE LOANED, COPIED OR REPRODUCED WITHOUT THE WRITTEN PERMISSION OF THE COMPANY.
 Notes: --
 Revision: A

Site Ref: LEA CASTLE FARM	Scale: N.T.S.
Customer: NRS	Sheet No: 1/1
Drawing No: E2370-SGA-002	Description: Revised Plant Layout
Sheet Size: A4	

PLEASE NOTE THAT THIS IS A PRE-SALES DRAWING AND SHOULD BE USED FOR DISCUSSION / QUOTATION PURPOSES ONLY

ALL LEADING DIMENSIONS IN METRIC (mm). TRAILING DIMENSIONS IN IMPERIAL (ft, inch) UNLESS OTHERWISE STATED.