

## Community Equipment Service

### Contents

Bed and Chair.....	7
SOLITE2 Variable Height with Adjustable Back Rest .....	8
COTSIDE Cotsides for Divan Type Bed .....	9
TLM3001 Lifting Pole .....	10
TLM2400 Bed Cradle - Rigid.....	11
BEDTBLE Height Adjustable Split Legged Over Bed Table ....	12
SME605 Leg Lifter -Webbing.....	13
SBC216 Bed Stick .....	14
NSBC252 Bed Lever –Heavy Duty .....	15
NSBC329 Easy Rail Bed Grab Rail .....	16
TLM3500 Back Rest .....	17
NSBE167 Mangar Pillow Lifter .....	18
DM100 Dream Master Mattress Variator.....	19
GRIP100 Grip on Raiser 1".....	20
GRIP200 Grip on Raiser 1 ½".....	20
GRIP300 Grip on raiser 2".....	20
SBC211 Straight Leg Chair Raisers .....	21
SBC209 Langham Bed Raiser Double .....	22
SBC210 Langham Bed Raiser Single.....	22
LPMPR Langham Multi Raiser.....	23
MPRSPRD Multi Purpose Raiser .....	23
MPRSECT Langham Clip on Sections.....	23
NSBC285 Langham Spreader Bar for 2 Seater Settee .....	23
Multi Purpose Raiser – Matrix Chart.....	24
THV2100 Adjustable Leg Rest.....	25

## Community Equipment Service

CAMEO	Riser Recliner Chair .....	26
COMFORT	Riser Recliner Chair .....	27
Toileting .....		28
COMMODE	Standard Fixed Height and Arms .....	29
COMADJH	Adjustable Height Commode .....	30
MAYFAIR	Mobile Commode .....	31
RTS2INS	Raised Toilet Seat 2" .....	32
RTS4INS	Raised Toilet Seat 4" .....	32
RTS6INS	Raised Toilet Seat 6" .....	32
SCANDIA	Toilet Frame with Seat.....	33
TLTFRFS	Free Standing Toilet Surround.....	34
STE106	Floor Fixing Toilet Surround .....	35
STE113	Portable Toilet .....	36
STE115	Portable Toilet Stand .....	37
FSE8100	Bed Pan .....	38
FSG3500	Female Urinal.....	39
FWV6350	Male Urinal .....	40
STE111	Bottom Wiper.....	41
SBE025	Drop Down Folding Rail .....	42
SLIPPER	Fracture Pan .....	43
Bathing .....		44
BATHBRD	Derby Bathboard .....	45
SBE007	12" Slatted Bath Seat .....	46
SBE020	Bath Platform – Adjustable Height.....	47
BELAVITA	Reclining Bathlift.....	48
SBE016	Shower Chair – Adjustable Height Static.....	49
SBE019	Shower Bench - Adjustable Height .....	50
SBE017	Shower Seat – Wall Mounted with Leg.....	51

## Community Equipment Service

SBE023	Floor Fixing Swedish Rail .....	52
S5/S6	6" & 8" Bath Seat .....	53
Dressing	.....	54
SDE305	Stocking Gutter.....	55
SDE303	Tights Gutter.....	55
Household	.....	56
PERCHST	Adjustable Height Perching Stool .....	57
PERCHBA	Adjustable Height with Back and Arms.....	58
SKE406	Kettle Tipper -Standard .....	59
SKE407	Kettle Tipper -Jug .....	59
CORDLES	Cordless Kettle Tipper -Jug .....	59
NSKE441	Trolley with Plastic Trays .....	60
SHE515	Dycem Roll .....	61
SHE513	Handiplug.....	62
SHE534	Handisocket - Double .....	63
SHE520	Grab Rail – 12" overall length 18¼" .....	64
SHE521	Grab Rail – 24" overall length 28" .....	64
SHE522	Newel Rail Left.....	65
SHE529	Newel Rail Right .....	65
NSHE540	Keysafe .....	66
Handling and Lifting	.....	67
SME603	Curved Transfer Board.....	68
NSHS774	Stand and Turn Aid .....	69
SHS702	Oxford Major Electric Hoist.....	70
SHS714	Oxford Mini Electric Hoist .....	71
SHS728	Oxford Midi Electric Hoist .....	72
SLINGQL	Oxford Quickfit Deluxe Sling – Large .....	73
SLINGQM	Oxford Quickfit Deluxe Sling – Medium.....	73

## Community Equipment Service

SLINGQS	Oxford Quickfit Deluxe Sling –Small .....	73
SLINGAL	Oxford Access Sling – Large.....	74
SLINGAM	Oxford Access Sling - Medium.....	74
SLINGAS	Oxford Access Sling - Small.....	74
GRIM003	One Way Glide Sheet 450x400mm (Chair) .....	75
GRIM010	One Way Glide Sheet 600x700mm (Bed) .....	75
HOA0008	Standing Hoist.....	76
TSS500	Standing Sling - Small .....	77
TSS501	Standing Sling - Medium .....	77
TSS502	Standing Sling - Large.....	77
LOCO008	Handling Sling.....	78
SME633	Transfer Belt – Small .....	79
SMS90200	Flat Sheets - With Handles 90 x 200cm.....	80
Mobility .....		81
GTE1290	Walking Stick – Metal Adjustable 28" – 38" .....	82
GTF2551	Fischer Stick – Right .....	83
GTF2552	Fischer Stick - Left .....	83
GTF2050	Quadruped – Broad Base .....	84
GTA2250	Elbow Crutch – Double Adjustable.....	85
GTA2270	Elbow Crutch – Double Adjustable - Tall.....	85
GTA2280	Elbow Crutch – Double Adjustable with Comfy Handle	86
GTC0350	Walking Frame – Adjustable Height - Tall .....	87
GTC0300	Walking Frame –Adjustable Height -Medium .....	87
GTC0250	Walking Frame – Adjustable Height – Small .....	87
Walking Frames – Adjustable Height – Technical Information .....		88
GTC0950	Walking Frame – Ultra Narrow – Tall .....	89
GTC0900	Walking Frame – Ultra Narrow – Medium .....	89

## Community Equipment Service

GTC0925	Walking Frame - Ultra Narrow - Small.....	89
	Walking Frames – Adjustable Height – Ultra narrow – Technical Information .....	90
GZT0750	Walking Frame – Adj Height Wheeled Tall.....	91
GZT0700	Walking Frame – Adj Height Wheeled Medium .....	91
GZT0650	Walking Frame – Adj Height Wheeled Small.....	91
	Walking Frames – Adjustable Height Wheeled – Technical Information .....	92
GZT0850	Walking Frame Adj Height Wheeled Narrow T .....	93
GZT0800	Walking Frame Adj Height Wheeled Narrow M .....	93
GZT0825	Walking Frame Adj Height Wheeled Narrow S.....	93
	Walking Frame – Adjustable Height Wheeled Narrow – Technical Information .....	94
GZT0520	Forearm Walker (Gutter) – Adult .....	95
SME629	Threshold Ramp 2 ½" .....	96
NSME639	Ramps – Telescopic 3' 2" – 5' .....	97
NSME632	Ramps – Telescopic 4' -6'8" .....	97
	Pressure Reducing Equipment .....	98
	ROHO Cushions, ROHO and SOFFLEX Mattress Systems.....	100
	Technical Information .....	100
FZD3500	Propad Cushion .....	101
FLOTECH	Flotech Cushion .....	102
ROHOCSH	Roho Cushion (Phasing Out).....	103
1524970A	Aero-tec Uno Cushion.....	104
AURA	Aura Cushion .....	105
FDP 9550	Propad Mattress – Single.....	106
SFTFORM	– Softform Mattress.....	107
SOFFLEX	Sofflex Mattress Section .....	109
SOFFLEXB	Sofflex Mattress Section (Black).....	110

## Community Equipment Service

ALPHAX	Alphaxcell Mattress.....	111
FDP 7000	Talley Quattro 2 Mattress (Phasing Out).....	112
PREMACT	Premier Active Mattress.....	113
AUTXCEL	Autoexcel Mattress .....	114
LOGIC110	Autologic 110 Mattress .....	115
PEGASUS	Pegasus Cairwave Mattress .....	116
Bariatric Equipment	.....	117
2125HD	Elbow Crutch – Heavy Duty.....	118
2507STK	Bariatric Walking Stick .....	119
2511HDS	Bariatric Frame – Small.....	120
2512HDM	Bariatric Frame – Medium .....	120
2513HDL	Bariatric Frame - Tall .....	120
NSBE075	Extra Wide Perching Stool – Back and Arms .....	121
NSTE134	Extra Wide Adjustable Height Commode .....	122
NSTE163	Extra Wide Toilet Frame with Seat.....	123

Community Equipment Service

# Bed and Chair

## **SOLITE2** Variable Height with Adjustable Back Rest



**WARNING**  
Pressure mattress must be strapped **ONLY** to the back rest.  
Do **NOT** attach to bed frame.

The mattress platform can be lowered to a height of only 31.5cm and can be raised to a height of 72cm using a personal handset (from floor to top of mattress platform). The back rest is electrically operated.

The bed includes variable tilt and reverse tilt positioning (Trendelenburg).

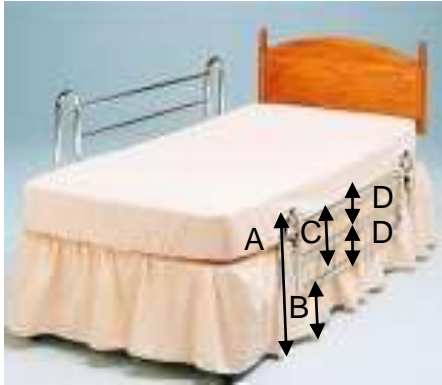
Cotsides ARE included.

Mattress must be ordered separately. Standard mattress would be a sofform (SFTFORM).

**WARNING** – If a bed is installed into a room containing a gas appliance, the appliance must be checked to ensure it meets the Gas Safety Regulations.

<b>Technical Details</b>	<b>Metric</b>	<b>Imperial</b>
Platform Height Adjustment	315 – 720mm	12.4" – 28.3"
Width	945mm	37.2"
Length	2190mm	86.2"
Max User Weight	180 kg	28 stone

**COTSIDE**    **Cotsides for Divan Type Bed**



Manufactured from chromium plated tube. Fitted with spring loaded buttons for easy adjustment. Cross braces adjust to fit single, three quarter and double sized beds.

A risk assessment must be undertaken, before referring for this equipment. Referrer responsible for teaching carer how to raise and lower bed side rails/cotsides.

<b>Technical Details</b>	<b>Metric</b>	<b>Imperial</b>
Length Adjustment	1220 -1930mm	48" – 76"
Width Adjustment	915 – 1575mm	36" – 60"
Height A	520mm	20 ½"
Height B	180mm	7"
Height C	280mm	11 ½"
Height D	100mm	4"
Maximum User Weight	180 kg	28 stone

**TLM3001**   **Lifting Pole**



Designed for raising end user to a sitting position and not lifting the entire weight of the person.

A free standing lifting pole must be stable and not tip when the end user pulls on it.

Check that the base of the lifting pole will fit under the bed.

Not recommended for CVA's as it encourages increase in tone.

Not recommended for OA of the spine, neck or shoulders.

Manufactured from box section steel. Adjustable height strap with trapeze handle.

Technical Details	Metric	Imperial
Height	1910mm	75"
Handle Adjustment from Floor	950 – 1310mm	37½" – 51½"
Overall Width	800mm	31½"
Overall Depth	610mm	24"
Height of Base Section	40mm	1¾"
Maximum User Weight	125 kg	20 stone

**TLM2400** Bed Cradle - Rigid



Tubular steel frame with plastic coated finish, whose base slips between the mattress and the bed base.

Ensure bed cradle is placed under the mattress, either at the side or foot of the bed.

<b>Technical Details</b>	<b>Metric</b>	<b>Imperial</b>
Height	480mm	19"
Width of Frame	430mm	17"
Length of Frame	660mm	26"

**BEDTBLE** Height Adjustable Split Legged Over Bed Table



Made from chrome plated and powder coated steel with an angle adjustable laminated teak effect table top. Split legged base with rails on the edge of the table to prevent items slipping off.

When assessing make sure that there is enough clearance below bed/chair to allow legs of table to fit under.

Technical Details	Metric	Imperial
Height Adjustment	610 - 910mm	24"-36"
Table Size	610 x 400mm	24" x 15¾"
Maximum Load	10kg	1½ stone

**SME605**    **Leg Lifter -Webbing**



A webbing strap with stiffened stem to assist with moving legs. A loop at the top fits around the hand and wrist and the stiffened loop slides over the foot to give control in lifting the leg.

<b>Technical Details</b>	<b>Metric</b>	<b>Imperial</b>
Length	864 mm	34"

**SBC216**    **Bed Stick**



Tubular metal frame which fits between bed base and mattress offering a rigid handle either side of the bed. One end can also be turned down to allow for any able bodied users sharing the bed, to transfer safely.

Handgrip complies with MDA guidelines for entrapment protection.

<b>Technical Details</b>	<b>Metric</b>	<b>Imperial</b>
Minimum Length	960mm	38"
Maximum Length	1560mm	61.½"
Width	330mm	13"
Handle Height	191mm	7.5"
Width of Loop	306mm	12"
Height of Loops	420mm	16½"
Maximum User Weight	190 kg	30 stone

**NSBC252**    **Bed Lever -Heavy Duty**



An all metal construction rail, with a quick and easy handle attachment. Extra rigidity provided by double bend base. The central bar in handle exceeds all guidelines on bed rail bar spacing. Designed for use on divan style beds, suitable for single, double or kingsize.

Technical Details	Metric	Imperial
Width	440mm	17"
Length	780mm	31"
Handle Height	470mm	18 ½"
Weight	4.3kg	9 1/2lb
Maximum User Weight	160kg	25 stone

**NSBC329** Easy Rail Bed Grab Rail



An all metal construction rail, with a quick and easy handle attachment. The central bar in handle exceeds all guidelines on bed rail bar spacing. Designed to sit flat within the bed frame. For use on a single, double or king size bed.

Technical Details	Metric	Imperial
Width	450mm	17½"
Length	670mm	26½"
Handle Height	470mm	18½"
Weight of Product	3.5kg	7½ lb
Maximum User Weight	127 kg	20 stone

**TLM3500 Back Rest**



Light but sturdy epoxy coated frame, fitted with an easy clean fabric. There is a 5 fixed point angle adjustment up to 85°, giving support to the user.

Care must be taken to ensure pressure damage does not occur, as pressure can be focused on base of spine.

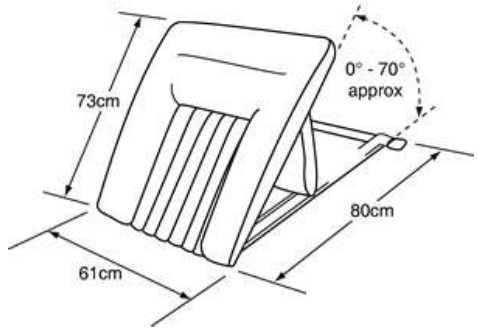
If end user is unable to maintain a good sitting position shear damage to base of spine may occur as a result of slipping down in bed.

Requires a firm mattress and head board to support it.

Back rest should never be used with an inflatable type pressure reducing mattress. Foam wedges or pillows are preferable in this instance (not supplied).

Technical Details	Metric	Imperial
Folded	610 x 597 x 76mm	24" x 23 ½" x 3"
Maximum Height	540mm	22"
Minimum Height	280mm	10½"
Width	550mm	21½"
Depth	590mm	23¼"
Maximum User Weight	125 kg	19 ½ stone

**NSBE167** Mangar Pillow Lifter



The Mangar Pillow Lift has been designed to fit on any single or double bed without the need for securing straps. It sits on top of the mattress and will stop at any angle allowing maximum comfort. Power is provided by the Mangar Airflo Compressor.

The pillow lift will elevate the user to a seated position in bed.

Technical Details	Metric	Imperial
Inflated Width	610mm	24"
Deflated Width	710mm	28"
Deflated Length	800mm	31 ½"
Angle of Backrest	55° approx	55° approx
Back/Headrest Length	740mm	29"
Total Product Weight	2kg	4¼ lbs
Maximum User Weight	135 kg	21 stone

**DM100 Dream Master Mattress Variator**



(Shown with side rails)



The Dream Master Variator (DM100) is fitted to the bed by 2 straps. The first secures the mattress on to the bed; the second is a figure-of-eight strap at the foot of the bed, which goes under the bed and over the mattress to stop any movement of the mattress.

The Dream Master is suitable for fitting to most types of beds including divan, pine slatted and metal beds. It is also width adjustable. Emergency battery back up to transformer.

Optional Extras Available:

- Knee Brake     DM200
- Siderails        DMSR/L or DMSR/R

Technical Details	Metric	Imperial
Width Adjustable	765mm – 1524mm	2'6" – 5'
Overall Length	765mm	30"
Height at Lowest	99mm	3"
Total Boxed Weight	15.6 kg	34.39 lbs
Maximum User Weight	254 kg	40 stone

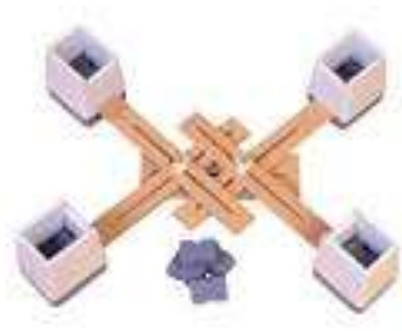
- GRIP100**    Grip on Raiser 1"
- GRIP200**    Grip on Raiser 1 ½"
- GRIP300**    Grip on raiser 2"



A hexagonal raiser from plastic and rubber with a 'doughnut' insert which locks onto the leg for complete security.

Technical Details		Metric	Imperial
Aperture Size	GRIP100	25mm	1"
	GRIP200	38mm	1½"
	GRIP300	50mm	2"
Height Raise	GRIP100	35, 60 or 85mm	1½", 2½" or 3½"
	GRIP200	30, 55 or 80mm	1¼", 2¼" or 3¼"
	GRIP300	30, 55 or 80mm	1¼", 2¼" or 3¼"
H x W x D	GRIP100	90 x 100 x 120mm	3½" x 4 x 4½"
	GRIP200	100 x 115 x 120mm	4" x 4½" x 4½"
	GRIP300	145 x 120 x 120mm	5¾" x 4½" x 4½"
Maximum User Weight		318 kg	50 stone

**SBC211**      **Straight Leg Chair Raisers**



A set of four moulded blocks, linked together by slotted wooded straps and clamped in position with two wing nuts. Height adjustable by inserting blocks supplied. Maximum of two per raiser to raise by an extra 24mm- 48mm.

<b>Technical Details</b>	<b>Metric</b>	<b>Imperial</b>
Height Raise	62, 86 or 110mm	2", 3" or 4"
Maximum Chair Size	787 x 686mm	31" x 27"
Maximum User Weight	254 kg	40 stone

**SBC209**  
**SBC210**

**Langham Bed Raiser Double**  
**Langham Bed Raiser Single**



A set of moulded blocks linked together for use with a bed. The blocks have a broad base for stability and are height adjustable by inserting the blocks supplied. Available as a set of 2.

Technical Details	Metric	Imperial
Height Raise	72mm, 96mm or 120mm	3", 4" or 5"
Unit Minimum h x w x d	<b>Single</b> 610 x 190 x 160mm	24" x 7½" x 6¼"
	<b>Double</b> 930 x 190 x 160 mm	36" x 7½" x 6¼"
Unit Maximum h x w x d	<b>Single</b> 890 x 190 x 160 mm	35" x 7½" x 6¼"
	<b>Double</b> 1470 x 190 x 160mm	57½" x 7½" x 6¼"
Maximum User Weight	318 kg	50 stone

<b>LPMPR</b>	<b>Langham Multi Raiser</b>
<b>MPRSPRD</b>	<b>Multi Purpose Raiser</b>
<b>MPRSECT</b>	<b>Langham Clip on Sections</b>
<b>NSBC285</b>	<b>Langham Spreader Bar for 2 Seater Settee</b>



This product does the job of all Langham Raisers with the exception of SBC211, SBC209 and SBC210. It has a set of four moulded corner cups which swivel to offer a tight fit. They are designed to accept corners, straight edges or curves. Each corner cup can be raised by adding extra clip on sections.

PLEASE REFER TO MATRIX CHART TO ENSURE THAT THE CORRECT AMOUNT OF ITEMS ARE REQUESTED.

(Found on page 25)

## Multi Purpose Raiser – Matrix Chart

### Raising Chairs

Raise Required	Quantities		
	LPMPR	MPRSPRD	MPRSECT
75mm (3")	2	1	0
95mm (3 ¾")	2	1	4
105mm (4 ½")	2	1	8
125mm (5 ¼")	2	1	12
145mm (6")	2	1	16

### Raising a Settee –small seater with four castors\*

Raise Required	Quantities		
	LPMPR	NSBC285	MPRSECT
75mm (3")	2	1	0
95mm (3 ¾")	2	1	4
105mm (4 ½")	2	1	8
125mm (5 ¼")	2	1	12
145mm (6")	2	1	16

### Raising a Settee –Large & three seater

Raise Required	Quantities		
	LPMPR	MPRSPRD	MPRSECT
75mm (3")	3	0	0
95mm (3 ¾")	3	0	6
105mm (4 ½")	3	0	12
125mm (5 ¼")	3	0	18
145mm (6")	3	0	24

### Raising Single Bed –with only four castors\*\*

Raise Required	Quantities		
	LPMPR	MPRSPRD	MPRSECT
75mm (3")	2	0	0
95mm (3 ¾")	2	0	4
105mm (4 ½")	2	0	8
125mm (5 ¼")	2	0	12
145mm (6")	2	0	16

### Raising Double Beds

Raise Required	Quantities		
	LPMPR	MPRSPRD	MPRSECT
75mm (3")	3	3	0
95mm (3 ¾")	3	3	6
105mm (4 ½")	3	3	12
125mm (5 ¼")	3	3	18
145mm (6")	3	3	24

\* If the settee has central castors then use the chart for large settees.

\*\* If a single bed has three sets of castors then use the double bed chart, and leave off the spreader bars.

**THV2100** Adjustable Leg Rest



Made from high gloss nylon modified epoxy powder coating, 4 independently adjusting legs with "e" type pin clips.

Always ensure that the calves are well supported.

Technical Details	Metric	Imperial
Adjustable Height	431 – 584mm	17" – 23"
Stool Length	470mm	18½"
Stool Width	394mm	15½"
Stool Upholstery Thickness	102mm	4"
Maximum User Weight	115 kg	18 stone

**CAMEO Riser Recliner Chair**



The chair is made with a steel frame and three position recline and rise system. It has a battery backup in case of main power failure, handheld control on wand lead and side pockets.

<b>Technical Details</b>	<b>Metric</b>	<b>Imperial</b>
Seat Height	480mm	19"
Seat Depth	480mm	19"
Seat Width	530mm	21"
Back Height	690mm	27"
Motor	Single	
Feet	Static Castors	
Back Style	Button Back only	
Maximum User Weight	147 kg	23 stone

**COMFORT** Riser Recliner Chair



The chair is made with a steel frame and a three position recline and rise system. It has a battery backup in case of main power failure, handheld control on wander lead and side pockets.

Technical Details	Metric	Imperial
Seat Height	460mm	18"
Seat Depth	530mm	21"
Seat Width	550mm	21½"
Back Height	660mm	26"
Motor	Single Motor	
Back Style	T Back	
Maximum User Weight	165 kg	26 stone

# Toileting

**COMMODE** Standard Fixed Height and Arms



Manufactured from tubular steel with padded upholstery on seat and back. The toilet seat is round and hinged with rubber buffers sitting in the seat to avoid seat abrasion against frame. The commode also has non slip non marking rubber feet

Technical Details	Metric	Imperial
Toilet Seat Height	470mm	18½"
Width Between Arms	495mm	19½"
Toilet Seat to Top of Back	330mm	13"
Toilet Seat to Top of Arms	191mm	7½"
Toilet Seat Depth	355mm	14"
Footprint	475 – 533mm	18¾" x 21"
Potty Size	5 litre	10.5 pints
Maximum User Weight	157 kg	25 stone

**COMADJH** Adjustable Height Commode



Manufactured from tubular steel with padded upholstery on seat and back. The toilet seat is round and hinged with rubber buffers sitting in the seat to avoid seat abrasion against frame. The commode also has non slip non marking rubber feet.

<b>Technical Details</b>	<b>Metric</b>	<b>Imperial</b>
Toilet Seat Height	470 – 622mm	18½" - 24½"
Width Between Arms	495mm	19½"
Toilet Seat to Top of Back	330mm	13"
Toilet Seat to Top of Arms	191mm	7½"
Toilet Seat Depth	355mm	14"
Footprint	458 – 515mm	18" x 20¼"
Potty Size	5 litre	
Maximum User Weight	157 kg	25 stone

**MAYFAIR** Mobile Commode



Made from chrome plate with soft feel vinyl seat and back. Designed to fit over most toilets 470 mm (18½") clearance.

<b>Technical Details</b>	<b>Metric</b>	<b>Imperial</b>
Floor to Underside of Frame	500mm	19¾"
Seat Width & Width Between Arms	430mm	17"
Seat to Top of Arms	200mm	7¾"
Seat to Top of Back	390mm	15½"
Footprint (Front to Back)	700mm	27½"
Footprint (Side to Side)	650mm	25½"
Maximum User Weight	190 kg	30 stone

**RTS2INS** Raised Toilet Seat 2"

**RTS4INS** Raised Toilet Seat 4"

**RTS6INS** Raised Toilet Seat 6"



A one piece white raised toilet seat, with built in anti-bacterial protection and a wide frontal opening for personal cleaning. Easily and securely fitted with strong rubber covered adjustable brackets. The comfortable contoured seating area distributes user weight over a large area.

Technical Details		Metric	Imperial
Height	RTS2INS	51mm	2"
	RTS4INS	102mm	4"
	RTS6INS	152mm	6"
Width		380mm	15"
Depth		390mm	15¼"
Maximum User Weight		190 kg	30 stone

**SCANDIA Toilet Frame with Seat**



A one piece moulded seat with built in anti-bacterial properties. The smooth contoured seat clips without tools onto the height adjustable frame that has 6 height options in 25mm (1") increments. It has cranked legs to ensure ferrules sit flat onto the floor.

<b>Technical Details</b>	<b>Metric</b>	<b>Imperial</b>
Lowest Height w x d x h to Top of Arms	560 x 460 x 670mm	22" x 18" x 26½"
Highest Setting	560 x 530 x 820mm	22" x 21" x 35½"
Adj Seat Height	485 – 635mm	19" – 25"
Width Between Arms	540mm	21½"
Weight of Product	5.9 kg	13 lbs
Maximum User Weight	190 kg	30 stone

**TLTFRFS Free Standing Toilet Surround**



Epoxy powder coated frame with moulded armrests to improve grip.  
Non slip, non marking rubber feet.

<b>Technical Details</b>	<b>Metric</b>	<b>Imperial</b>
Width Between Arms	470mm	18½"
Floor to Top of Arms	650 – 800mm	25½" – 35"
Footprint	455 x 514mm	18" x 20½"
Maximum User Weight	157 kg	25 stone

**STE106** Floor Fixing Toilet Surround



Adjustable toilet aid with polymer coating. Additional transfer bar for extra safety, with moulded plastic arms and floor fixing feet for added safety.

During an assessment ensure that there is adequate space to allow all four legs to rest squarely on the floor.

<b>Technical Details</b>	<b>Metric</b>	<b>Imperial</b>
Width Between Arms	470mm	18½"
Floor to Top of Arms	650 – 800mm	25½" – 31½"
Maximum User Weight	157 kg	25 stone

**STE113** Portable Toilet



Visa toilets have a powerful bilge type pump which serves a highly efficient twin jet flush, a self cleaning slide valve and level indicators. The waste tank is easily separated and carried suitcase style, then emptied through a detachable pouring spout.

Technical Details	Metric	Imperial
Height	409mm	16.1"
Width	368mm	14½"
Depth	419mm	16½"
Fresh Water Capacity	15 litres	32 pints
Waste Capacity	20 litres	42 pints
Weight of Product (empty)	5.1 kg	11 lb
Maximum User Weight	190 kg	30 stone

**STE115** Portable Toilet Stand



A stand which raises the height of a portable toilet and provides a stable surround to assist the user in standing or sitting.

Technical Details	Metric	Imperial
Base	609 x 533mm	24" x 21"
Stand	355 x 406mm	14" x 16"
Height	762mm	30"
Weight	7 kg	15 lb
Maximum User Weight	190 kg	30 stone

**FSE8100** Bed Pan



General purpose bed pan made from polypropylene.

Technical Details	Metric	Imperial
Capacity	1 litre	2.2 pints
Weight of Product	1.1 kg	2.4 lb

**FSG3500 Female Urinal**



Moulded from clear plastic the urinal features a handle for ease of use. Anatomically designed to enable use when standing, sitting or lying. Includes graduated markings for output recording.

<b>Technical Details</b>	<b>Metric</b>	<b>Imperial</b>
Capacity	1 litre	1¾ pint
Weight of Product	100 g	4 oz

**FWV6350 Male Urinal**



Moulded from clear plastic, this urinal has a snap on lid and handle. The long neck ensures this urinal is easy to use.

Technical Details	Metric	Imperial
Capacity	1 litre	2.2 pints
Weight of Product	105 g	4 oz

**STE111** Bottom Wiper



This bottom wiper has a moulded plastic head with recessed serrations to grip the paper. Mounted on a lightweight curved handle it is designed to be used from the front. The paper is easily removed after use.

Technical Details	Metric	Imperial
Length	265mm	10½"
Weight	70 g	2½ oz

**SBE025 Drop Down Folding Rail**



A steel support rail mounted onto the wall at the appropriate height. In use it projects at right angles to the wall, but when not required it can simply be folded up against the wall, providing access for side transfer or assistance. Not suitable for use in showers.

<b>Technical Details</b>	<b>Metric</b>	<b>Imperial</b>
Length	700mm	27½mm
Maximum User Weight	136 kg	21 stone

**SLIPPER** Fracture Pan



- A high quality polypropylene fracture pan.
- Holds 1300mls when full to brim, 900mls on a 45 degree backward slope.
- Light weight with narrow edges makes it easy to manage if the user has poor hand strength.
- Being rather shallow at the back makes it a little unsuitable as a bed pan for adults.
- The rise in depth and narrow edge towards the front can compromise comfort and stability if the user tries to sit up.
- Can be autoclaved.

Technical Details	Metric	Imperial
Dimensions	430 x 290 x 120mm	17" x 11½" x 5"



**BATHBRD Derby Bathboard**



Made from hygienic one piece polypropylene plastic with 4 pillar fixings. The slatted design allows water to drain away quickly. The central seating area is slip resistant and has a rear upstand, with coccyx cut-away for comfort and security.

Fits a standard bath of 700mm overall width.

Technical Details	Metric	Imperial
Width	710mm	28"
Depth	305mm	12"
Height	68mm	2½"
Minimum Pillar Span	440mm	17"
Maximum Pillar Span	630mm	25"
Maximum User Weight	190 kg	30 stone

**SBE007 12" Slatted Bath Seat**



Made from reinforced PVC. Fixes securely with large suction pads, which incorporates easy release tabs.

Distributes body weight evenly on the strongest part of the bath to ensure maximum stability.

<b>Technical Details</b>	<b>Metric</b>	<b>Imperial</b>
Seat Width	457mm	18"
Seat Depth	280mm	11"
Maximum User Weight	160 kg	25 stone

## **SBE020 Bath Platform – Adjustable Height**



The bath step consists of four sections which simply clip together or apart, enabling adjustments to your required height.

Each section has an anti slip tread to enhance safety. Each section is 1" in height.

<b>Technical Details</b>	<b>Metric</b>	<b>Imperial</b>
Width	450mm	17½"
Depth	350mm	14¾"
Minimum Height	25mm	1"
Maximum Height	100mm	4"
Maximum User Weight	318 kg	50 stone

## **BELAVITA** Reclining Bathlift



Please note that the Bellavita does not include seat covers (which are shown in the manufacturer's picture above). Can be used as a recline or non recline Bathlift.

Alternative powered bathlifts may be issued while stocks last and will not match the specification below.

<b>Technical Details</b>	<b>Metric</b>	<b>Imperial</b>
Width of Seat	350mm	14"
Depth of Seat	420mm	17"
Sitting Height – min	60mm	2½"
Sitting Height – max	480mm	19"
Overall Length (reclined)	830mm	33"
Overall Width of Seat including Flaps	700mm	28"
Height of Backrest	640mm	25"
Backrest Reclines	50 degrees	
Baseplate W x L	310 x 560mm	12" x 22"
Total Weight (excl handset)	9.3 kg	2 lb
Maximum User Weight	140 kg	22 stone

**SBE016 Shower Chair – Adjustable Height Static**



Nylon coated all steel welded frame with 'H' section base for added strength. Moulded polypropylene seat with drainage holes.

Not all acrylic shower trays are suitable for use with this item.

Technical Details	Metric	Imperial
Internal Width Between Arms	455mm	18"
Outside Depth (front to back)	500mm	20"
Floor to Seat Height	455mm	18"
Adj Height Range	455 – 580mm (125mm)	18" – 23" (5")
Maximum User Weight	140 kg	22 stone

**SBE019 Shower Bench - Adjustable Height**



A reinforced framework with clip on plastic perforated seat and integral handles. Non slip rubber feet ensure frame and patient stability.

<b>Technical Details</b>	<b>Metric</b>	<b>Imperial</b>
Seat Height Adj	480 – 630mm	19" – 26"
Seat Width	420mm	16½"
Seat to Top of Arms	125mm	5"
Width Between Arms	520mm	20½"
Footprint Front to Back	470mm	18½"
Footprint Side to Side	480mm	19"
Maximum User Weight	154 kg	25 stone

**SBE017 Shower Seat – Wall Mounted with Leg**



Fitted to the wall, but can be folded up when not in use. Two height adjustable legs fitted with non slip feet are adjusted with pin clips.

Not all acrylic shower trays are suitable for use with this item.

Technical Details	Metric	Imperial
Seat Size	295 x 435mm	11½" x 17"
Seat Height	485 – 590mm	19" – 23"
Weight of Product	4.3 kg	9½ lb
Maximum User Weight	159 kg	25 stone

## **SBE023** Floor Fixing Swedish Rail



A chrome plated bath rail fitted with slip resistant rubber pads and floor fixing flanges for additional security.

<b>Technical Details</b>	<b>Metric</b>	<b>Imperial</b>
Width	285mm	11¼"
Handle Height Adj	580 – 760mm	22¾" – 30"
Maximum User Weight	125 kg	20 stone

**S5/S6 6" & 8" Bath Seat**



An anti-bacterial plastic bath seat that offers two seat options, by changing the feet. Suction cup feet give positive location and the bathseat has easy release tabs on suction feet.

<b>Technical Details</b>	<b>Metric</b>	<b>Imperial</b>
Seat Width	420mm	16½"
Seat Depth	280mm	11"
Seat Height	1500 or 200mm	6" or 8"
Maximum User Weight	190 kg	30 stone

# Dressing

**SDE305**      **Stocking Gutter**



The unique shape of the flexible sock aid, keeps socks on the aid until the sock is pulled all the way onto the foot. The pliable trough is easy to bend. The soft plastic aid rolls into the sock and creates an opening for the foot. Requires the use of two hands.

**SDE303**      **Tights Gutter**



One piece flexible aid for tights, with webbing handles. Plastic blade is shaped to hold the tights until they can be pulled up within reach. Very lightweight, and easy to use – handle can be adjusted if necessary.

Technical Details	Metric	Imperial
Cord Length	910 mm	36"

# Household

**PERCHST Adjustable Height Perching Stool**



Deeply contoured polyurethane foam seat with pronounced mouldings to counter any slippage from the inclined seat. The splayed legs ensure maximum frame stability. Non slip rubber feet ensure frame and user stability.

Technical Details	Metric	Imperial
Seat height from - to	575 – 725mm	22½" – 28½"
Seat Width	355mm	14"
Seat Depth	270mm	10½"
Seat Incline	25mm	1"
Footprint Front to Back	480mm	19"
Footprint Side to Side	620mm	24½"
Maximum User Weight	157 kg	25 stone

**PERCHBA** Adjustable Height with Back and Arms



Deeply contoured polyurethane foam seat with pronounced mouldings to counter any slippage from the inclined seat. The splayed legs ensure maximum frame stability. Non slip rubber feet ensure frame and user stability.

Technical Details	Metric	Imperial
Seat Height from - to	575 – 725mm	22½" – 28½"
Seat Width	355mm	14"
Seat Depth	270mm	10½"
Seat Incline	25mm	1"
Footprint Front to Back	480mm	19"
Width Between Arms	480mm	18¾"
Seat to Top of Arms	150mm	6"
Footprint Side to Side	620mm	24½"
Maximum User Weight	157 kg	25 stone

**SKE406**      **Kettle Tipper -Standard**



The Kettle sits on a tilting platform which pivots on a white coated wire frame. The platform will not drop forward or fall back past the horizontal. Provided with non slip feet. Platform height      93mm/3.5"

**SKE407**      **Kettle Tipper -Jug**

The kettle sits in a coated wire cradle which pivots on a white coated frame. The kettle is secured by an elasticated strap. The frame has built-in stop and back stop to prevent spillage if the kettle is accidentally released whilst pouring. Provided with non slip feet.

Length	229mm	9"
Width	191mm	7.5"
Height	191mm	7.5mm



**CORDLES**      **Cordless Kettle Tipper -Jug**



A metal plate secures the base of the cordless kettle and a frame with Velcro strap keeps the upper part of the kettle in place. A cut out at the tipper allows cups to be positioned as close to the kettle as required. The frame has built in back stop to prevent spillage if the kettle is accidentally released during use.

**NSKE441** Trolley with Plastic Trays



Designed to enable the user to transport food around the home. The plastic trays clip on/off and have retaining edges. Trolley is adjustable in height by releasing the simple to use "e" pin clips in the legs. The large "pulpit" styled handles gives users a sense of controlled movement.

Technical Details	Metric	Imperial
Handle Height Adj	848 – 998mm	33" x 40"
Width of Frame	460mm	18"
Footprint	560 – 482mm	22" x 20"
Top Tray Height	635 – 785mm	25" x 31"
Castor Size	100mm	4"
Maximum User Weight	125 kg	19 stone

**SHE515**    **Dycem Roll**



Cut to any size. Provides immense grip on dry slippery surfaces such as tables, worktops and dinner trays. Tough enough to withstand years of use, and easy to wash in warm soapy water.

<b>Technical Details</b>	<b>Metric</b>	<b>Imperial</b>
Diameter	190mm	7½"

**SHE513**    **Handiplug**



The Handiplug consists of a standard three pin plug base with a looped handle to facilitate use for those with poor grip. Four fingers can fit in the handle to give an improved leverage. It is supplied with a 13 amp fuse.

<b>Technical Details</b>	<b>Metric</b>	<b>Imperial</b>
Weight of Product	95 g	3 oz

**SHE534**      **Handisocket - Double**



This extension provides an electrical socket at a convenient height for the user, rather than having to bend down to floor level. The white moulding needs to be screwed to the wall where required. An integral clip holds plugs when they are not plugged in. Care must be taken not to exceed 13 amps when using two appliances.

<b>Technical Details</b>	<b>Metric</b>	<b>Imperial</b>
Length of Product	690mm	27"

## Community Equipment Service

**SHE520**

**Grab Rail - 12"** overall length 18¾"

**SHE521**

**Grab Rail - 24"** overall length 28"



Manufactured from 25mm nylon modified epoxy powder coated tubular mild steel. The rails are flattened and offer 2 pre-drilled fixing holes (32mm/1½") dimension from hole centres. Hand clearance from rail underside to wall is 50mm/2". Ends are rounded to ensure user safety in handling.

<b>Technical Details</b>	<b>Metric</b>	<b>Imperial</b>
Length	310 or 610mm	12" or 24"

**SHE522**  
**SHE529**

**Newel Rail Left**  
**Newel Rail Right**



Rose ends are 75mm diameter and fit a standard wooden Newel post and have 3 pre-drilled fixing holes. Hand clearance from rail underside to wall is 50mm. Manufactured from 32mm/1½" nylon modified epoxy powder coated tubular mild steel.

<b>Technical Details</b>	<b>Metric</b>	<b>Imperial</b>
Overall length	686mm	27"
Hand clearance	50mm	2"
Bracket Dimension	75mm	3"

**NSHE540**    **Keysafe**



This GE KeySafe™ is supplied with a black neoprene cover which simply slips around and over the GE KeySafe™ hiding it from view and protecting it from the elements. It is recommended that the Dynabolts (included) are used to fix the key safe as they represent a more substantial method of attaching the key safe and have a longer life expectancy than plastic raw plugs.

Technical Details	Metric	Imperial
External Dimensions	114 h x 57 w x 38mm d	4.5" h x 2¼" w x 1½" d
Internal Dimensions	76 h x 38 w x 19mm d	3" h x 1½" w x ¾" d
Weight of Product	750 g	26 oz

# Handling and Lifting

**SME603**      **Curved Transfer Board**



The arc shape enables a variety of positioning options and allows the natural sweeping pattern of an assisted transfer. Wipes clean for infection control purposes.

<b>Technical Details</b>	<b>Metric</b>	<b>Imperial</b>
Size	701 x 370mm	27½" x 14½"
Weight	1.95 kg	4 lbs
Maximum User Weight	152 kg	24 stone

## NSHS774 Stand and Turn Aid



This item should only be used with a patient who can adequately weight bear and thus stand with support but cannot move their feet to turn 90 degrees.

A transfer aid to allow an assisted transfer from one seated position to another. The frame, shin pad, and turn-table combine to give optimum safety to both carer and patient during the transfer.

- Height adjustable frame to suit all
- Foot pedal break to secure turn-table
- Central wheels for easy positioning
- Angled shin pad for correct standing position
- 160kg (25 stone) weight limit

The central wheels allow the Stand and Turn to be rolled up to the patient even after their feet have been positioned on the product.

- Allows a safe, smooth and controlled swivel transfer
- Reduces the need to "hold" a patient during a transfer
- Encourages an independent and dignified transfer.

## SHS702 Oxford Major Electric Hoist



### Key Product Features

- Emergency Raise and Lower function – the button is located underneath the emergency stop button on the control box and can be operated by means of inserting a ball point pen tip. This can be used to lower/raise a patient if the handset should fail.
- LCD battery level indicator.

Please note that in certain circumstances Major manual hoists may have to be provided.

Technical Details	Metric	Imperial
Overall Length	1296mm	50"
Maximum Overall Height	1941mm	76"
Minimum Overall Height	1376mm	54"
Maximum Spreader Bar Height	1725mm	67"
Minimum Spreader Bar Height	525mm	20"
Width of Open Base	1160mm	46 "
Width of Closed Base	610mm	24"
Turning Radius	1.274mm	50"
Maximum User Weight	190 kg	30 stone

**SHS714**      **Oxford Mini Electric Hoist**



A hoist suitable for use in confined spaces.

Key Product Features

- Emergency Raise and Lower function – the button is located underneath the emergency stop button on the control box and can be operated by means of inserting a ball point pen tip. This can be used to lower/raise a patient if the handset should fail.
- LCD battery level indicator.

Please note that in certain circumstances Mini manual hoists may have to be provided

<b>Technical Details</b>	<b>Metric</b>	<b>Imperial</b>
Overall Length	1120mm	44"
Maximum Overall Height	1726mm	68"
Minimum Overall Height	1133mm	44.6"
Maximum Spreader Bar Height	1505mm	59.3"
Minimum Spreader Bar Height	500mm	19.7"
Width of Open Base	1095mm	43"
Width of Closed Base	600mm	23.6"
Turning Radius	1104mm	43.5"
Maximum User Weight	140 kg	22 stone

**SHS728**      **Oxford Midi Electric Hoist**



A hoist suitable for use in confined spaces.

Key Product Features:

- Emergency Raise and Lower function – the button is located underneath the emergency stop button on the control box and can be operated by means of inserting a ball point pen tip. This can be used to lower/raise a patient if the handset should fail.
- LCD battery level indicator.

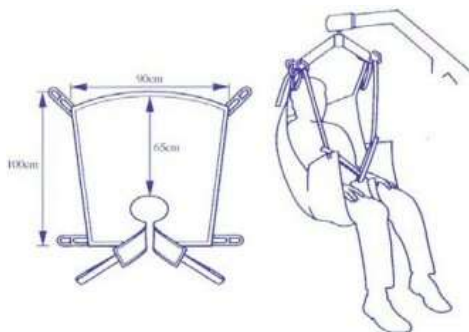
Please note that in certain circumstances Midi manual hoists may have to be provided.

<b>Technical Details</b>	<b>Metric</b>	<b>Imperial</b>
Overall Length	1180mm	46½"
Maximum Overall Height	1848mm	73"
Minimum Overall Height	1237mm	48.7"
Maximum Spreader Bar Height	1630mm	64.2"
Minimum Spreader Bar Height	495mm	19½"
Width of Open Base	1175mm	46.3"
Width of Closed Base	600mm	23.6"
Turning Radius	1174mm	46¼"
Maximum User Weight	170 kg	27 stone

**SLINGQL** Oxford Quickfit Deluxe Sling – Large

**SLINGQM** Oxford Quickfit Deluxe Sling – Medium

**SLINGQS** Oxford Quickfit Deluxe Sling – Small



The quickfit deluxe sling is suitable for up to 95% of patients. May be suitable for some amputees; individuals need to be assessed. Provides increased comfort and support without the need for side suspenders.

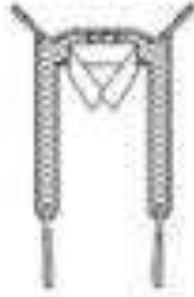
Used hammock style (under both legs) sling is not suitable for those at risk of spasms.

Technical Details	Metric	Imperial
Lifting Capacity - Small	32-59 kg	5-9 stone
Lifting Capacity - Medium	57-89 kg	9-14 stone
Lifting Capacity - Large	89-159 kg	12-25 stone
Maximum User Weight	175 kg	27½ stone

**SLINGAL**      Oxford Access Sling - Large

**SLINGAM**     Oxford Access Sling - Medium

**SLINGAS**     Oxford Access Sling - Small



The Access sling has been designed specifically to facilitate toileting. It is an easy to fit sling, padded for comfort and allows access too and the removal of clothing.

This sling is unsuitable for amputees.

The Access sling can be used for patients in the sitting position only

Technical Details	Metric	Imperial
Lifting capacity - Small	32-59 kg	5-9 stone
Lifting capacity - Medium	57-89 kg	9-14 stone
Lifting capacity - Large	89-159 kg	12-25 stone
Maximum User Weight	175 kg	27½ stone

**GRIM003** One Way Glide Sheet 450x400mm (Chair)

**GRIM010** One Way Glide Sheet 600x700mm (Bed)



Available in two sizes the One Way Slide prevents patients from sliding down in a chair or in a bed.

The One Way Slide allows a one directional slide (back into a chair or up the bed) then locks, preventing the patient sliding forward.

This reduces the amount of patient handling required to reposition the patient and thus reduces the risk of back injury to the nurse or carer associated with these tasks.

## HOA0008 Standing Hoist



The Sara Lite is a battery-powered standing and raising aid designed to raise and lower semi-dependent residents for transfers and toileting. The lift can be operated safely and efficiently by a single carer. Assisted transfers and toileting can be carried out without the stress and risk of injury associated with manual handling.

- Powered opening and closing of chassis
- Dual controls for easy operation
- Low-friction castors, the rear two with brakes
- Emergency stop and system failure override
- Active kneepad with individual leg support
- Foot plate ensures stability and safety
- Detachable 24V high-capacity battery, including low-charge indicator, to be charged in separate charger
- Battery discharge indicator (BDI), which displays remaining power and indicates when the battery needs charging.

Technical Details	Metric	Imperial
Weight	62 kg	137 lb
Chassis External Width, Legs Closed	640mm	25 ¼"
Chassis Internal Width, Legs Open	890mm	35"
Safe Working Load, Basic Lift	200 kg	440 lb
Safe Working Load, All Slings	200 kg	440 lb
Weight of Product	59 kg	9.3 stone
Maximum User Weight	175 kg	27½ stone

**TSS500**      **Standing Sling - Small**

**TSS501**      **Standing Sling - Medium**

**TSS502**      **Standing Sling - Large**



Designed for use with the Sara Lite standing hoist. They are intended not only to provide support for standing safely, but also as far as possible to promote active participation by the patient in standing movement.

**LOCO008**   **Handling Sling**



A comfortable padded handling sling which can be used for standing transfers, repositioning in bed and leg transfers. The design allows for greater patient comfort as well as allowing staff to retain good posture when carrying out the handling task. The sling can also be used to move legs on or off a bed or footstool.

<b>Technical Details</b>	<b>Metric</b>	<b>Imperial</b>
Dimensions	620 x 220mm	24.4" x 8½"

**SME633**      **Transfer Belt – Small**

**SME634**      **Transfer Belt – Medium/Large**



Ross FlexiBelt can be used for support and assistance in rehabilitation or as a transfer product for assisting with standing, sitting, walking, side transfers from chair to chair etc.

The vertical handles offering a variety of grips. Both vertical and horizontal handles are padded and the lining is soft providing additional comfortable if the belt is being worn for longer periods.

Technical Details	Metric	Imperial
Small (7 Handles)	600mm - 1000mm	22" – 39"
Medium/Large (9 Handles)	720mm – 1200mm	30" – 54"
Can be washed at 70 C and also be tumble dried.		

**SMS90200 Flat Sheets - With Handles 90 x 200cm**



Supplied in a pack of 2, the flat sheets provide excellent sliding capability. Used for transferring patients, sliding laterally, turning, inserting hoist slings.

Fully washable.

<b>Technical Details</b>	<b>Metric</b>	<b>Imperial</b>
Dimensions	900 x 2000 mm	35½" x 78.8"

# Mobility

## **GTE1290** Walking Stick – Metal Adjustable 28" – 38"



Before stick is used it must be adjusted to the correct length. Measurement can be taken from the wrist crease to the ground with the elbow slightly flexed.

It is essential that both the user and their carer understand the importance of regularly checking their sticks.

1. Ferrules – check regularly and replace before they are worn smooth.
2. Check for loose handgrips and cracks in the metal.

Adjustable metal walking stick with comfortable moulded plastic handle

<b>Technical Details</b>	<b>Metric</b>	<b>Imperial</b>
Adjustable from	710 – 960mm	28" – 38"
Maximum User Weight	125 kg	19 ½ stone

**GTF2551** Fischer Stick – Right

**GTF2552** Fischer Stick - Left



Before the stick is used it must be adjusted to the correct length. Measurement can be taken from the wrist crease to the ground with the elbow slightly flexed.

It is essential that both the end user and their carer understand the importance of regularly checking their sticks.

1. Ferrules – check regularly and replace before they are worn smooth.
2. Check for loose handgrips and cracks in the metal.

Technical Details	Metric	Imperial
Adjustable from	100 – 920mm	27" – 36"
Maximum User Weight	125 kg	19 ½ stone

## **GTF2050**    **Quadruped – Broad Base**



Physiotherapists do not generally recommend this walking aid.

Not for stroke end users, as it promotes one sided gait leading to an over flow of tone, and delays symmetrical activity.

Not suitable for end users with poor vision.

It is essential that both the end user and their carer understand the importance of regularly checking their stick.

1. Ferrules – check regularly and replace before they are worn smooth.
2. Check for loose handgrips and cracks in the metal.

Manufactured from anodised aluminium tubing fitted with grey moulded handles and non slip rubber feet. All suitable for right or left hand use.

<b>Technical Details</b>	<b>Metric</b>	<b>Imperial</b>
Adjustable from	710 – 960mm	28" – 38"
Maximum User Weight	125 kg	19 ½ stone

**GTA2250 Elbow Crutch – Double Adjustable**

**GTA2270 Elbow Crutch – Double Adjustable - Tall**



Should not be used with end users who have shoulder or hand pathology, poor balance, upper body weakness or those end users who are severely obese over 25 stone.

It is essential that both the end user and their carer understand the importance of regularly checking their crutches.

1. Ferrules – check regularly and replace before they are worn smooth.
2. Check for loose handgrips and cracks in the metal.

Manufactured from anodised aluminium tubing fitted with non slip rubber tips. This crutch is adjustable from the armband to the handle and the handle to ground.

Technical Details		Metric	Imperial
Handle to Ground	GTA2250	660 – 92mm	26" – 36"
	GTA2270	760 – 1050mm	30" – 40"
Handle to Armband	GTA2270	180 – 250mm	7" – 10"
Maximum User Weight		160 kg	25 stone

## **GTA2280** Elbow Crutch – Double Adjustable with Comfy Handle



Should not be used with end users who have shoulder pathology, poor balance, upper body weakness or those end users who are severely obese over 25 stone.

It is essential that both the end user and their carer understand the importance of regularly checking their crutches.

1. Ferrules – check regularly and replace before they are worn smooth.
2. Check for loose handgrips and cracks in the metal.

Manufactured from anodised aluminium tubing fitted with non slip rubber tips. This crutch is adjustable from the armband to the handle and handle to the ground. It is fitted with an anatomical handle for those who require a formed hand grip to spread the weight more evenly across the hand.

<b>Technical Details</b>	<b>Metric</b>	<b>Imperial</b>
Handle to Ground	660 – 920mm	26" – 36"
Handle to Armband	180 – 250mm	7" – 10"
Maximum User Weight	160 kg	25 stone

**GTC0350**    **Walking Frame – Adjustable Height - Tall**

**GTC0300**    **Walking Frame –Adjustable Height -Medium**

**GTC0250**    **Walking Frame – Adjustable Height – Small**



Walking frames disrupt normal gait pattern.

It is the responsibility of the referrer to:

Ensure that frames are set to the correct height which usually means the end user is able to stand up straight without hunched shoulders and with the elbows fixed at approximately 15 degrees.

The end user is shown how to use the frame correctly as poor techniques may result in falls. It is essential that both the end user and their carer understand the importance of regularly checking their frames.

1. Ferrules – check regularly and replace before they are worn smooth.
2. Check for loose screws, loose handgrips and cracks in the metal.

## Walking Frames – Adjustable Height – Technical Information

### GTC0350 Tall

Adonised aluminium tubing with moulded plastic handgrips and grey non slip rubber tips.

<b>Technical Details</b>	<b>Metric</b>	<b>Imperial</b>
Overall width	620mm	24 ½"
Width at front	410mm	16"
Depth	460mm	18"
Maximum height	940mm	37"
Minimum height	860mm	34"
Weight	2.4 kg	5 ¼ lb
Weight limit	160 kg	25 stone

### GTC0300 Medium

Adonised aluminium tubing with moulded plastic handgrips and grey non slip rubber tips.

<b>Technical Details</b>	<b>Metric</b>	<b>Imperial</b>
Overall width	620mm	24 ½"
Width at front	420mm	16 ½"
Depth	460mm	18"
Maximum height	790mm	34"
Minimum height	860mm	31"
Weight	2.3 kg	5 lb
Weight limit	160 kg	25 stone

### GTC0250 Small

Adonised aluminium tubing with moulded plastic handgrips and grey non slip rubber tips.

<b>Technical Details</b>	<b>Metric</b>	<b>Imperial</b>
Overall width	620mm	24 ½"
Width at front	420mm	16 ½"
Depth	460mm	18"
Maximum height	760mm	30"
Minimum height	685mm	27"
Weight	2.2 kg	4 ¾ lb
Weight limit	160 kg	25 stone

**GTC0950** Walking Frame - Ultra Narrow - Tall

**GTC0900** Walking Frame - Ultra Narrow - Medium

**GTC0925** Walking Frame - Ultra Narrow - Small



Walking frames disrupt normal gait pattern.

It is responsibility of the referrer to:

1. Ensure that frames are set to the correct height which usually means the end user is able to stand up straight without hunched shoulders and with the elbow fixed at approximately 15 degrees.
2. The end user is shown how to use the frame correctly as poor techniques may result in falls.

It is essential that both the end user and their carer understand the importance of regularly checking their frames.

1. Ferrules – check regularly and replace before they are worn smooth.
2. Check for loose screws, loose handgrips and cracks in the metal

## Walking Frames - Adjustable Height - Ultra narrow - Technical Information

### GTC0950 Ultra Narrow Tall

Adonised aluminium tubing with moulded plastic handgrips and grey non slip rubber tips.

Technical details	Metric	Imperial
Overall width	500mm	20"
Width at front	290mm	11 ½"
Depth	480mm	19"
Maximum height	940mm	37"
Minimum height	860mm	34"
Weight	2.4 kg	5.75l bs
Weight limit	160 kg	25 stone

### GTC0900 Ultra Narrow Medium

Adonised aluminium tubing with moulded plastic handgrips and grey non slip rubber tips.

Technical details	Metric	Imperial
Overall width	500mm	20"
Width at front	280mm	11"
Depth	460mm	18"
Maximum height	860mm	34"
Minimum height	790mm	31"
Weight	2.3 kg	5 lb
Weight limit	160 kg	25 stone

### GTC0925 Ultra Narrow Small

Adonised aluminium tubing with moulded plastic handgrips and grey non slip rubber tips.

Technical details	Metric	Imperial
Overall width	480mm	19"
Width at front	280mm	11"
Depth	420mm	16 ½"
Maximum height	790mm	31"
Minimum height	720mm	28 ½"
Weight	2.2 kg	4.75 lb
Weight limit	160 kg	25 stone

**GZT0750**    **Walking Frame – Adj Height Wheeled Tall**

**GZT0700**    **Walking Frame – Adj Height Wheeled Medium**

**GZT0650**    **Walking Frame – Adj Height Wheeled Small**

This type of frame is easier to push and less disruptive to normal gait.



It is often used to overcome the problem associated with lifting the frame.

Care should be taken not to catch the rear ferrules on loose carpets and rugs.

Regular checking is required as the wheels are prone to stick.

May become unbalanced with unequal weight bearing and track to the right or left.

The fixed front wheels may make negotiation of tight corners and doorways awkward.

It is the responsibility of the referrer to:

1. Ensure that frames are set to the correct height which usually means the end user is able to stand up straight without hunched shoulders and with the elbows fixed at approx 15 degrees.
2. The end user is shown how to use the frame correctly as poor techniques may result in falls.

It is essential that both the end user and their carer understand the importance of regularly checking their frames.

1. Ferrules – check regularly and replace before they are worn smooth.
2. Check for loose screws, loose handgrips and cracks in the metal.

## Walking Frames – Adjustable Height Wheeled – Technical Information

<b>GZT0750 Tall</b>		
Anodised aluminum tubing with moulded plastic handgrips. Easy to manoeuvre front wheels and slip resistant rubber tips for added safety.		
Technical Details	Metric	Imperial
Overall width	670mm	26 ½"
Width at front	455mm	18"
Depth	600mm	23 ¾"
Maximum height	980mm	38 ½"
Minimum height	900mm	35 ½"
Weight limit	160 kg	25 stone

<b>GZT0700 Medium</b>		
Anodised aluminum tubing with moulded plastic handgrips. Easy to manoeuvre front wheels and slip resistant rubber tips for added safety.		
Technical Details	Metric	Imperial
Overall width	660mm	26"
Width at front	455mm	18"
Depth	580mm	22 ¾"
Maximum height	890mm	35"
Minimum height	810mm	31 ¾"
Weight limit	160 kg	25 stone

<b>GZT0650 Small</b>		
Anodised aluminum tubing with moulded plastic handgrips. Easy to manoeuvre front wheels and slip resistant rubber tips for added safety.		
Technical Details	Metric	Imperial
Overall width	650mm	25 ½"
Width at front	455mm	18"
Depth	520mm	20 ½"
Maximum height	780mm	30 ¾"
Minimum height	700mm	27 ½"
Weight limit	160 kg	25 stone

**GZT0850** Walking Frame Adj Height Wheeled Narrow T

**GZT0800** Walking Frame Adj Height Wheeled Narrow M

**GZT0825** Walking Frame Adj Height Wheeled Narrow S



This type of frame is easier to push and less disruptive to normal gait.

It is often used to overcome the problem associated with lifting the frame.

Care should be taken not to catch the rear ferrules on loose carpets and rugs. Regular checking is required as the wheels are prone to stick.

May become unbalanced with unequal weight bearing and track to the right or left.

The fixed front wheels may make negotiation of tight corners and doorways awkward.

It is the responsibility of the referrer to:

1. Ensure that frames are set to the correct height which usually means the end user is able to stand up straight without hunched shoulders and with the elbows fixed at approx 15degrees.
2. Then end user is shown how to use the frame correctly as poor techniques may result in falls.

It is essential that both the end user and their carer understand the importance of regularly checking their frames.

1. Ferrules – check regularly and replace before they are worn smooth.
2. Check for loose screws, loose handgrips and cracks in the metal.

## Walking Frame – Adjustable Height Wheeled Narrow – Technical Information

<b>GZT0850 Narrow Height Adjustable Tall</b>		
Anodised aluminum tubing with moulded plastic handgrips. Easy to manoeuvre front wheels and slip resistant rubber tips for added safety.		
Technical Details	Metric	Imperial
Overall width	510mm	20"
Width at front	340mm	13 ½"
Depth	510mm	20"
Maximum height	980mm	38 ½"
Minimum height	900mm	35.3"
Weight limit	160 kg	25 stone

<b>GZT0800 Narrow Height Adjustable Medium</b>		
Anodised aluminum tubing with moulded plastic handgrips. Easy to manoeuvre front wheels and slip resistant rubber tips for added safety.		
Technical Details	Metric	Imperial
Overall width	480mm	19"
Width at front	340mm	13 ½"
Depth	490mm	19 ¼"
Maximum height	910mm	37 ¾"
Minimum height	830mm	32 ¾"
Weight limit	160 kg	25 stone

<b>GZT0850 Narrow Height Adjustable Small</b>		
Anodised aluminum tubing with moulded plastic handgrips. Easy to manoeuvre front wheels and slip resistant rubber tips for added safety.		
Technical Details	Metric	Imperial
Overall width	480mm	19"
Width at front	340mm	13 ½"
Depth	450mm	17 ¾"
Maximum height	830mm	32 ¾"
Minimum height	750mm	29 ½"
Weight limit	160 kg	25 stone

## **GZT0520 Forearm Walker (Gutter) – Adult**



The size of the walker makes it unsuitable for most normal accommodation.

The size of the wheels makes it difficult to move over carpet. Only suitable for indoor use. It should not be used with obese end users with severe balance problems.

It is essential that both the end user and their carer understand the importance of regularly checking their frames.

1. Ferrules – check regularly and replace before they are worn smooth.
2. Check for loose screws, loose handgrips and cracks in the metal.

Aluminium construction with 2" front castors and rotating handles.

<b>Technical Details</b>	<b>Metric</b>	<b>Imperial</b>
Adjustable from	960 – 1090mm	38" – 43"
Overall Width	7400mm	29"
Maximum User Weight	160 kg	25 stone

**SME629**      **Threshold Ramp 2 ½"**



A doorframe ramp that is sloped at both ends for smooth access, with a non slip track for safety. Ideal for internal doorframe with a two or three inch lip.

<b>Technical Details</b>	<b>Metric</b>	<b>Imperial</b>
Length	900mm	36"
Width	685mm	27"
Height	70mm	2 ½"
Slope either side of Central Panel	380mm	15"
Maximum Doorframe Height	66mm	2 ½"
Maximum User Weight	127 kg	20 stone

### NSME639 Ramps - Telescopic 3' 2" - 5'

These three part, telescopic wheelchair ramps are made from anodised aluminium and are extremely lightweight. They have angled lips at the top and the bottom of the ramp and the surface is covered with a black, non-slip grit.

Strong aluminium section telescopic ramps with wear-free non-skid surface providing plenty of grip, wet or dry. Smooth nylon glide adjustment with no sharp corners, soft rounded carry handles. Integral safety catch that keeps the ramp closed when not in use.

Technical Details	Metric	Imperial
Length Adjustable	960 – 1520mm	3'2" – 5'
Inside Width	163mm	6 ½"
Maximum User Weight	325 kg	51 stone

### NSME632 Ramps - Telescopic 4' -6'8"

Technical Details	Metric	Imperial
Length Adjustable	1210 – 2020mm	4' – 6'8"
Inside Width	163mm	6 ½"
Maximum User Weight	325 kg	51 stone



# Pressure Reducing Equipment

## PRESSURE REDUCING EQUIPMENT

This section of the catalogue provides pressure reducing product information only, categorised into low, medium, medium-high and high level equipment.

It is the responsibility of the clinician to:

- Assess to agreed protocols/procedures.
- Ensure that all requests for pressure reducing equipment accurately reflect the assessed need.
- Regularly reassess – if the need has altered immediately re-refer to this service to request a change of equipment. Remember needs can go down as well as up.
- Never leave end users with equipment that is too high a level for their needs.

Patients using an alternating cushion or mattress should be reassessed after a minimum period of 6 weeks, or less as clinical judgement dictates. The assessment is ongoing and will need to be reviewed throughout the loan period.

## **ROHO Cushions, ROHO and SOFFLEX Mattress Systems**

### **Technical Information**

Friction and shear relief surface.

Requires no external power source.

Drainage holes pull fluids away from the incontinent patient  
Durable polyurethane material.

Air cells adjust to shape and contour of the body "immersing" the user into the cushion or mattress system as deeply as possible without bottoming out.

Deep immersion is achieved by having as little internal air pressure in the mattress as possible without allowing any part of the body to touch the base or bottom of the cushion.

Proper adjustment can only be achieved when the user is seated/lying on the fully inflated cushion or mattress. This adjustment process distributes the body's weight and enables the mattress to conform to the contours of the body relieving peak pressures on the bony parts of the body. This, in turn, enhances blood flow and increases the transfer of oxygen and nutrients to the soft tissues to prevent the occurrence of pressure sores.

## FZD3500 Propad Cushion



A contoured foam cushion, which provides At Risk levels of protection for the user, with a blue wipe down cover.

- A two-way stretch vapour permeable and water resistant cover, (both PU and blue cover version) helps to prevent a build up of shear and friction forces against the user.
- Anti-slip base reduces the risk of the cushion moving and destabilising the user.
- Deep contoured cushion has geometrically cut sections that operate independently to provide maximum immersion and even weight distribution which enhances pressure area care.
- Cradles the body at the base of the spine where 75% of the body's weight can be focused when sitting.

Technical Details	Metric	Imperial
Size	457 x 406 x 102mm	18" x 16" x 4"
Max User Weight	108 kg	17 stone
Waterlow Scale	Up to 15 – Low Risk	
Cleaning – wash down in situ with warm soapy water or a detergent solution, or remove cover to machine wash		

**FLOTECH** Flotech Cushion



The Flo-tech Image cushion uses a combination of a slim, shaped foam cushion base and a large gel sac covering the sacral area, increasing even weight distribution and immersion of the ischial tuberosities.

This design delivers a high degree of protection to users who are at High Risk of developing pressure ulcers.

The contoured seating surface with a gel sac offers improved stability and postural support. It also delivers a greater degree of weight distribution compared to that of flat surface.

Moulded foam castellations and gel combine effectively to reduce shear and friction forces on tissue.

The two way stretch cover is resistant to fluid ingress and vapour-permeable. It has an anti-slip base, carrying handle and platillon liner.

Technical Details	Metric	Imperial
Size	457 x 406 x 78mm	18" x 16" x 3"
Weight Limit	140 kg	22 stone
Waterlow Scale	Up to 20 – High Risk	
Cleaning - Cover is machine washable at 71C		

**ROHOCSH Roho Cushion (Phasing Out)**



Neoprene rubber system requiring no external power source

Helps heal advanced stage (III & IV) ulcers.

The Roho cushion systems improve oxygenation and nutrient transfer from capillaries to the tissue by moving and conforming to the shape of the body, in such a way that soft tissues are not deformed and ischaemia and odema are minimised.

Technical Details	Metric	Imperial
Size	460 x 460 x 102 mm 430 x 430 x 102 mm	18.5" x 18.5" x 4" 17" x 17" x 4"
Waterlow Scale	15 – 30+ High and Very High Risk	
Either size may be sent with 4 valves, 2 valves or 1 valve depending on availability.		
Cleaning – use normal detergents and disinfectants.		

## 1524970A Aero-tec Uno Cushion



This single valve air cushion has been specifically designed for those considered to be at 'Very High Risk' of developing pressure ulcers.

The Aero-tec Uno is constructed from individual interconnected air cells that allow free movement of air within the cushion, enabling the level of air to be individually adjusted to the body shape, thus maximising immersion and providing protection for the ischial tuberosities and coccyx area.

The cushion is made of natural rubber and should not be exposed to sunlight (UV-light) which can result in premature ageing of the material.

Technical Details	Metric	Imperial
Size	47 x 47cm	18.5" X 18.5"
Weight Minimum	20 kg	3 stone
Weight Maximum	150 kg	24 stone
Waterlow	15 – 20+ - High Risk	
Cleaning – Machine washable 30-40C		
<b>Please ensure that the valves of the cushion are closed during this process.</b>		

**AURA**

**Aura Cushion**



This cushion should be reassessed after a minimum of 6 weeks, or less as clinical judgement dictates.

The assessment is ongoing and needs to be reviewed throughout the loan period.

For those patients assessed to be at high risk of developing pressure sores or with existing sores around the seating area.

An alternating pressure relief system with 9 alternating cells on a 1 in 2 cycle with a cycle time of 10 minutes.

The inflated cell height is a minimum of 5 cm.

The system should not be used for patients who have a poor sitting balance or for those with unstable spinal fractures.

It should not be used with riser/recliner chairs.

Cushion comes with anti-slip pads and fixing straps.

<b>Technical Details</b>	<b>Metric</b>	<b>Imperial</b>
Seat Cushion	455 x 470 x 50 mm	18" x 18.5" x 2"
Pump	248 x 160 x 116 mm	10" x 4" x 4"
Weight Limit	120 kg	19 stone
Waterlow	Up to and including Grade 4 pressure ulcers – High Risk	
Cleaning – Cushion and cover can be cleaned using hot water and a mild household detergent.		

**FDP 9550 Propad Mattress – Single**

**FDP 9551 Propad Mattress - Double**



Designed for use in conjunction with conventional mattresses to deliver comfort and pressure reduction. It provides a pressure reducing surface, which can significantly contribute to the prevention of pressure ulcers. Its design and construction:

- Reduces shear friction whilst increasing the support surface area.
- Achieves even weight distribution by conforming to the shape and form of the body, and cradles bony prominences.
- Allows essential air circulation within the Overlay, minimising the build-up of heat and moisture, and helping to reduce shear and friction.
- Cover is two-way stretch, water resistant and vapour-permeable and has an anti-slip base. It facilitates patient movement, reducing the potential for shear and friction and ensures good air circulation, reducing the potential for skin maceration.

Technical Details	Metric	Imperial
Size - Single	1875 x 876 x 85mm	74" x 34.5" x 3"
Size - Double	1875 x 1372 x 85mm	74" x 54" x 3"
Weight Limit	108 kg	17 stone
Waterlow Scale	Up to 20 – Low Risk	
Cleaning – wash down in situ with warm soapy water or a detergent solution, or remove cover to machine wash.		

## SFTFORM – Softform Mattress



### The Softform Premier Mattress (Fuchsia on the Right)

Designed to replace existing mattress offer protection to those a high risk of pressure damage. By promoting even weight distribution, it reduces pressure on the tissue at potentially vulnerable areas.

- The Softform Premier mattress provides exceptional pressure reduction and patient comfort whilst offering the convenience of a non-turning mattress.
- A single piece foam 'U' core provides side wall support and one deep fully contoured foam insert pad ensures excellent pressure area care. High frequency welded waterproof seams protect the mattress core against contamination.
- Double-coated PU sides reduce possible damage from cot sides.
- The base of the Premier is made from a toughened PU coated material, which is designed to extend the life of the mattress by being able to withstand bed cradle damage and the issues relating to hydrolysis.

Technical Details	Metric	Imperial
<b>Softform Premier (Fuchsia)</b>		
Size Premier	195 x 88 x 17.5cm	76.7x34.6"x6.8"
Weight Limit Premier	165 kg	26 stone

**The Softform Original Mattress (Pink on the Left) is being Phased Out**

- A single piece foam 'H' core provides centre and side wall support. Two deep fully contoured foam insert pads ensure pressure area care.
- Air circulation is achieved by channels at the base of the cut sections where air circulates within the mattress around the end user. This minimises the build up of heat and moisture reducing the risk of skin maceration.
- The mattress requires 4-way turning to enhance the life of mattress.
- The washable, waterproof, two way stretch, cover is vapour permeable.
- A high degree of two way stretch allows the individual cells to operate freely, maximising the pressure reducing qualities of the mattress.

Technical Details	Metric	Imperial
<b>Softform Original (Pink)</b>		
Size Original	195 x 88 x 17.5cm	76.7x34.6"x6.8"
Weight Limit Original	165 kg	26 stone
<b>Softform Original and Premier</b>		
Waterlow Score	20 – Medium Risk	
Cleaning – Wash down in situ with warm soapy water or detergent solution. Remove cover and machine wash at 80 C.		

**SOFFLEX**    **Sofflex Mattress Section**



A support surface, made up of 3 mattress sections which is clinically proven for high risk end users.

Helps prevent and heal advanced stage ischemic ulcers. It is for someone with minor not open sores.

Modular design allows clinician to segment specific areas for protection.

Drainage holes pull fluids away from the incontinent patient.

Durable polyurethane material.

<b>Technical Details</b>	<b>Metric</b>	<b>Imperial</b>
Size – Full Mattress	206 x 91 x 8 cm	81" x 36" x 3"
Size – Per Section	69 x 91 x 8 cm	27" x 36" x 3"
Size – Air Cell	10 x 10 x 8 cm	4" x 4" x 3.25"
Weight Limit	No Maximum Weight	
Waterlow Score	Medium to High Risk	
Overlay Mattress System		
Cleaning – use soap and water or any other house disinfectant available.		

**SOFFLEXB Sofflex Mattress Section (Black)**



- A support surface, made up of 3 mattress sections which is clinically proven for high risk end users. Each section is individually adjusted for the user to ensure correct immersion.
- Helps prevent and heal advanced stage ischemic ulcers. It is for someone with minor not open sores.
- Modular design allows clinician to segment specific areas for protection. Each of the air filled cells adjust their shape to conform to the body contours of the user.
- Drainage holes pull fluids away from the incontinent patient.
- Durable polyurethane material.

Technical Details	Metric	Imperial
Size – Full Mattress	206 x 91 x 8 cm	81" x 36" x 3"
Size – Per Section	69 x 91 x 8 cm	27" x 36" x 3"
Size – Air Cell	10 x 10 x 8 cm	4" x 4" x 3.25"
Weight Limit	No Maximum Weight	
Waterlow Score	Medium to High Risk	
Overlay Mattress System		
Cleaning – use soap and water or any other house disinfectant available.		

**ALPHAX**    **Alphaxcell Mattress**



Security Ties should only be attached to the **MOVING** parts of a profile bed – **NOT** to the static bed frame.

Alternating air filled overlay mattress that supports the patient at low pressures and provides pressure relief by a series of individual cells deflating and inflating alternately in groups of 2.

The air pressure within the sacks can be altered to suit the weight of the patient to add a fine degree of comfort adjustment. Adjustable to the patient weight and position.

Pressure relief allows oxygenation and perfusion of tissue to occur, preventing breakdown and enhancing healing. It helps with those patients with superficial tissue damage.

Technical Details	Metric	Imperial
Mattress Size	2040 x 860 mm	80" x 34"
Inflated Cell Height	114mm	4.5"
Cycle Time - 10 minutes	20 air cells – 3 head cells are static	
Weight Limit	140 kg	22 stone
Waterlow Score	Exisiting pressure ulcers up to and including Grade 2 – Medium to High Risk	
Cleaning – To clean cover use hot water and a mild household detergent. If heavily soiled it can be wiped using a hypochlorite 1,000 ppm solution. DO NOT USE PHENOL based cleaning solutions. Cover can be washed in a washing machine at maximum temperature of 80 C.		

**FDP 7000 Talley Quattro 2 Mattress (Phasing Out)**



Security Ties should only be attached to the **MOVING** parts of a profile bed – **NOT** to the static bed frame.

- Used for preventing/managing pressure sores in high risk end users.
- Quattro mattress comprises 4 groups, each of 4 inflatable cells, deflating and inflating cyclically, 1 at a time, in each group.
- Reduces tissue load stress on potential pressure points on a rhythmical basis while supporting the remainder of the body on 75% of the mattress surface.
- An overlay mattress that is simply installed on a standard mattress.

Technical Details	Metric	Imperial
Size 16 Alternating Cells	Inflated diameter 83 mm centre 114 mm at edge	3.26" 4.5"
Inflatable Support Area	1970 x 860 mm	77.5" x 34"
Cycle Time	15 minutes	
Weight Limit	127 kg	20 stone
Cleaning – To clean cover use hot water and a mild household detergent. If heavily soiled it can be wiped using a hypochlorite 1,000 ppm solution. Do not use bleach, solvents or alcohol based cleansers. Cover can be washed in a washing machine at maximum temperature of 71 C. Alcohol wipes can be used sparingly.		

## PREMACT Premier Active Mattress



- Air-flo insert contained within classic Soffform Premier mattress foam construction
- Intelligent pump can gauge patient weight
- Alternating inflation of air cells every 10 minutes
- Unique design of air channels
- Mattress does not require turning
- Two-way stretch PU waterproof cover
- Air system placed beneath foam insert
- Full length flap conceals the zip
- Single piece foam “U” core

The insert consists of air cells that alternate on a ten minute cycle beneath the foam insert, delivering a very low impact at the point of change, thereby delivering high levels of comfort in addition to improved pressure reduction.

Technical Details	Metric	Imperial
Mattress Size	1970 x 880 x 152mm	77.5" x 34.5" x 6"
Maximum User Weight	248 kg	39 stone
Waterlow Score	Low to Medium High Risk	
Cleaning – Cover may be wiped with a solution of neutral detergent and hot water. DO NOT USE ALCOHOLS OR PHENELS.		
The Soffform Premier Active is particularly suitable for those who may find a more traditional dynamic system, unpleasant, due to movement and vibration.		

**AUTXCEL** Autoexcel Mattress



Security Ties should only be attached to the **MOVING** parts of a profile bed – **NOT** to the static bed frame.

For users assessed to be at high risk of pressure ulcer development, or for those with existing pressure ulcers up to and including grade 3.

A fully automatic alternating overlay system, with contoured, alternating cells providing reduced interface pressures in dynamic operating mode.

The Auto-Mat sensor pad automatically adjusts with the move and weight distribution of the end user.

Technical Details	Metric	Imperial
Size	1980 x 850 x 146 mm	78" x 33.5" x 6"
Height at Edges	135mm	5"
Weight Limit	203 kg	32 stone
A 2 cell system with an operating cycle of 10 minutes.		
Waterlow Score	Pressure ulcers up to and including Grade 3 – High Risk	
Cleaning – To clean cover use hot water and a mild household detergent. If heavily soiled it can be wiped using a hypochlorite 1,000 ppm solution. DO NO USE PHENOL based cleaning solutions. Cover can be washed in a washing machine at maximum temperature of 80 C for 3 minutes.		

## LOGIC110 Autologic 110 Mattress



Security Ties should only be attached to the **MOVING** parts of a profile bed – **NOT** to the static bed frame.

The *Auto Logic 110*<sup>®</sup> system provides an automatic, self setting overlay mattress with Active Transport capabilities. It offers multi mode functions. The alternating mode provides pressure relief. For those patients unable to tolerate a moving surface, a Constant Low Pressure (CLP) mode provides a comfortable pressure reducing surface when a moving surface is unsuitable.

The Cell in Cell system centralises the patient on the overlay and increases stability of edge to aid transfers. No need to know or guess the patients weight

- Routinely analyses patient Body Mass Distribution
- Regularly re-adjusts support pressures
- Balances pressure relief or reduction with comfort requirements

Technical Details	Metric	Imperial
Mattress Overlay	203 x 86 x 11.5mm	79.9" x 33.9" x 4.5"
Weight Limit	150 kg	23.5 Stone
Recommended for prevention and management of grade 1, 2 and 3 pressure ulcers. High Risk.		
Cleaning – To clean cover use hot water and a mild household detergent. If heavily soiled it can be wiped using a hypochlorite 1,000 ppm solution. DO NOT USE PHENOL based cleaning solutions. Cover can be washed in a washing machine at maximum temperature of 80 C for 3 minutes.		

## PEGASUS Pegasus Cairwave Mattress



Security Ties should only be attached to the **MOVING** parts of a profile bed – **NOT** to the static bed frame.

Alternating replacement pressure mattress system with proven effectiveness in prevention and healing of pressure ulcers for the very highest risk, most immobile patients.

- Unique 3 cell cycle of 7½ minutes eliminates pressure completely every 2½ minutes replicating the body's natural spontaneous movement.
- Inflated side formers give mattress a firm edge.
- Active pressure elimination enhances the zero pressure phase therefore maximising pressure relief to the very high risk areas. Stimulates reactive hyperaemia and promotes blood and lymph flow in deep tissues.
- Automatically adjusts to patient's weight after 2 cycles.
- Highly visible/accessible emergency CPR mode allows rapid deflation in under 10 seconds with active pressure elimination.
- Soft vapour permeable, 2 way stretch Dartex cover reduces moisture retention and minimises shear forces.

Technical Details	Metric	Imperial
Mattress Inflated l x w x h	190 x 88 x24 cm	75" x 35" x 9.5"
Weight Limit	254 kg	40 stone
Waterlow Score	Very High Risk	
Replacement mattress system fits all standard beds		
Cleaning – Swab with water at 60 C containing detergent. Dry.		

# Bariatric Equipment

**2125HD**    **Elbow Crutch - Heavy Duty**



- Heavy duty steel
- Chromium plated finish
- Height adjustable
- Non-slip rubber tip
- Adjustable from grip to ground and armband cuff to handle
- Oversize cuff to accommodate larger arms/clothing

<b>Technical Details</b>	<b>Metric</b>	<b>Imperial</b>
Handle to Armband Cuff	140-240mm	6-9"
Handle to Ground	660-910mm	26-36"
Cuff Diameter	140mm	5.5"
Product Weight	1.3 kg	2.9 lbs
Maximum User Weight	318 kg	50 stone

**2507STK**    **Bariatric Walking Stick**



- Heavy duty steel
- Chromium plated finish
- Non-slip, non-marking rubber tip
- Swan neck handle

Technical Details	Metric	Imperial
Height	790 – 90mm	29-38"
Maximum User Weight	318 kg	50 stone

- 2511HDS**    **Bariatric Frame - Small**
- 2512HDM**    **Bariatric Frame - Medium**
- 2513HDL**    **Bariatric Frame - Tall**



Heavy duty steel construction  
 Chromium plated finish  
 Comfortable moulded hand grips  
 Non-slip rubber feet  
 Height adjustable

<b>Technical Details</b>		<b>Metric</b>	<b>Imperial</b>
Height	Small	630 - 710mm	25 - 28"
	Medium	730 - 800mm	29 - 32"
	Tall	830 - 910mm	33 - 36"
Depth		51cm	20"
Maximum Width		77cm	30"
Weight of Product		2 kg	4 lbs
Maximum User Weight		318 kg	50 stone

**NSBE075**    **Extra Wide Perching Stool – Back and Arms**



Splayed legs of frame ensure maximum frame stability. Arm options give user increased sense of security. Gentle seat incline for greater user comfort and safety. Non-slip rubber feet ensure frame and patient stability.

<b>Technical Details</b>	<b>Metric</b>	<b>Imperial</b>
Seat Height	580 – 720mm	22¾ – 28¼"
Seat Width	520 x 340mm	20½ x 13¼"
Seat Depth	380mm	15"
Seat Incline	25mm	1"
Footprint Side/Side to Front/Back	890 x 770mm	35 x 30¼"
Width Between Arms	660mm	26"
Seat to Top of Arms	200mm	8"
Maximum User Weight	380 kg	60 stone

**NSTE134** Extra Wide Adjustable Height Commode



Manufactured from tubular steel with reinforced framework.  
 Padded heat sealed upholstery.  
 Commode seat is contoured for comfort and rear is scalloped to allow access for personal hygiene.  
 Transit wheels on two of the legs to enable tipping of frame and easy moving.

Technical details	Metric	Imperial
Seat Height	450 – 580mm	17 <sup>3</sup> / <sub>4</sub> – 23"
Padded Seat Thickness	20mm	1"
Width Between Arms	735mm	29"
Seat to Top of Arms	200mm	8"
Seat to Top of Back	405mm	16"
Orifice Width	255mm	10"
Orifice Depth	300mm	12"
Maximum Footprint	800 x 540mm	31 <sup>1</sup> / <sub>2</sub> x 21 <sup>1</sup> / <sub>2</sub> "
Maximum User Weight	250 kg	40 stone

**NSTE163**    **Extra Wide Toilet Frame with Seat**



Wide clip on clip off seat for easy cleaning. Integral arm supports. Non slip, non marking rubber feet. Transit wheels on 2 of the legs to enable tipping of frame and easy moving.

<b>Technical Details</b>	<b>Metric</b>	<b>Imperial</b>
Seat Height Min	489mm	19¼"
Seat height Max	620mm	24½"
Width Between Arms	635mm	25"
Seat to Top of Arms	110mm	4½"
Orifice Distance from Front	70mm	3"
Footprint	630 x 705mm	24¼" x 28"
Maximum User Weight	250 kg	40 stone